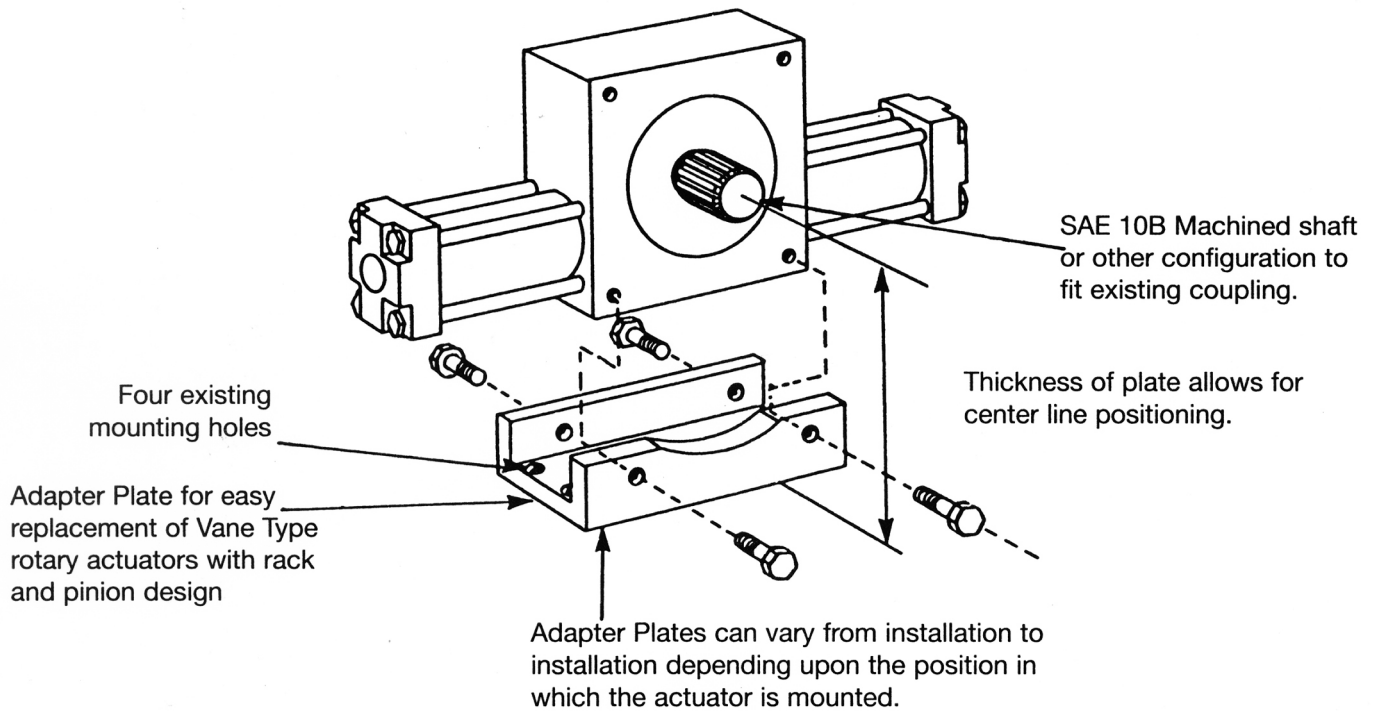


HOW TO REPLACE LEAKING VANE TYPE ROTARY ACTUATORS WITH ZERO LEAKAGE MOOG FLO-TORK RACK & PINION ROTARY ACTUATORS



Vane Type Rotary Actuators have internal leakage when they are new; however, the leakage rate increases after usage which requires seal replacement prematurely.

Users of this equipment will save money and decrease down time by replacing Vane Type Rotary Actuators with zero leakage Moog Flo-Tork rack & pinion rotary actuators.

Send complete information including manufacturers name, model number, shaft size and type, mounting hole location, and complete the application specification guide (AP 301).

Moog Flo-Tork will provide the necessary technical assistance for an easy and economical customer replacement.